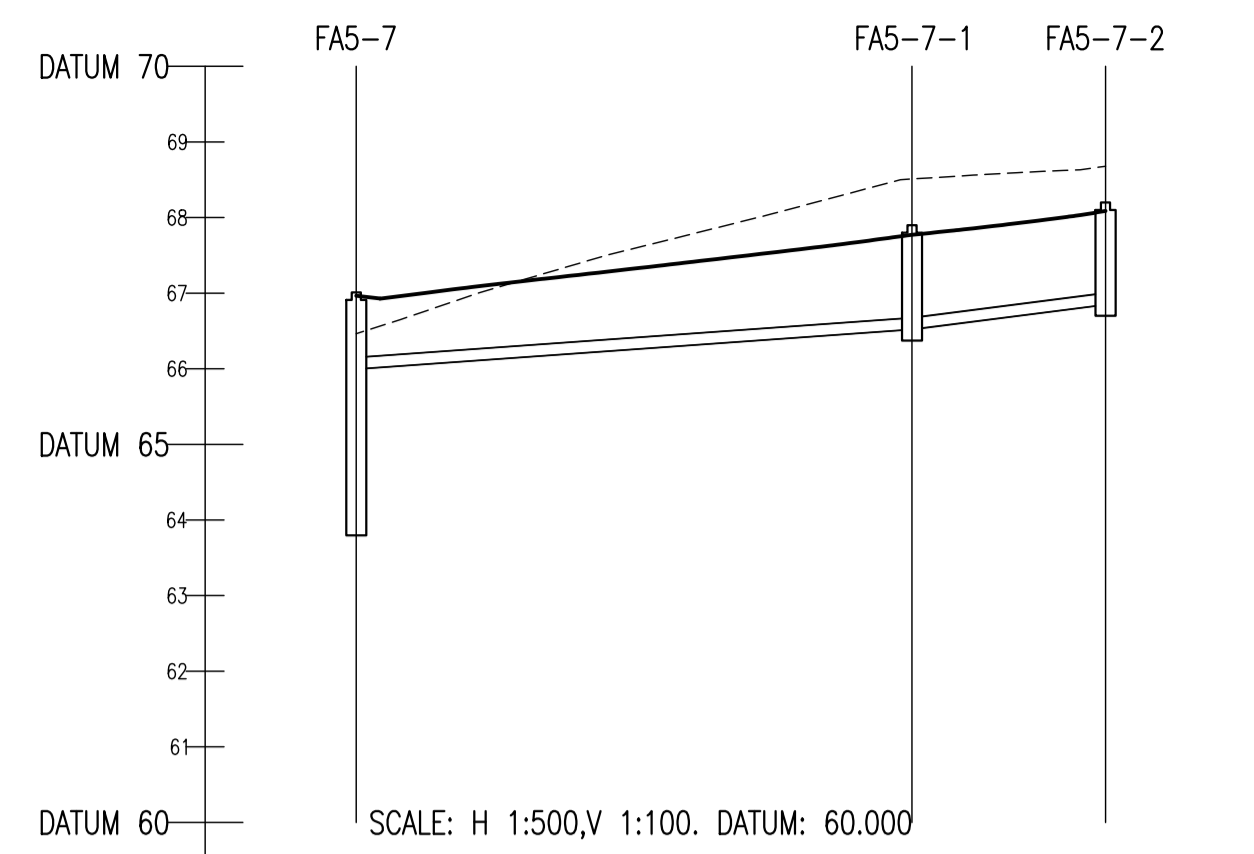
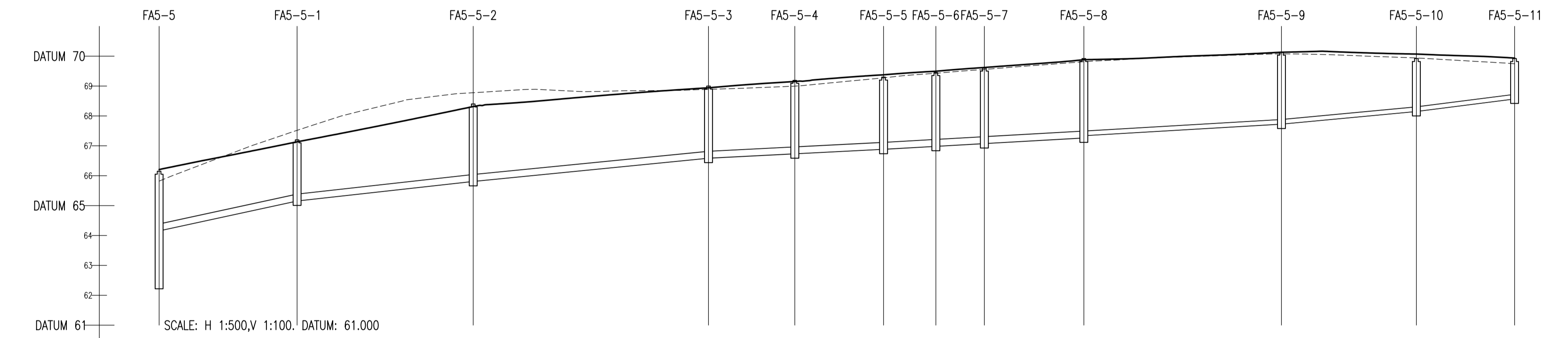


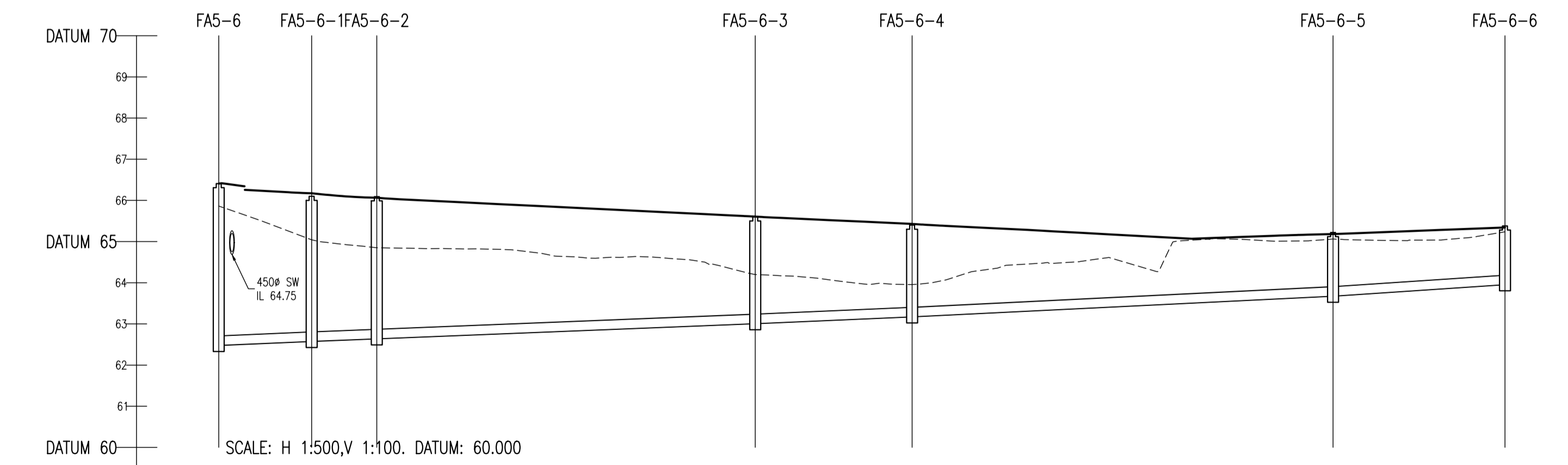
COVER LEVEL	68.500	69.000	69.140	69.200	69.700	70.000	70.350			
INVERT LEVEL	68.936	9.005	66.084 66.084	66.149 67.212	67.775	9.002	68.518 68.593	9.000	69.000	70.350
DEPTH (m)	4.000		2.916	2.991	1.425		1.482			1.350
DISTANCE (m)		16.33	7.17	6.61		21.05		28.35		39.89
PIPE SLOPE		1:110	1:110	1:105		1:51		1:85		1:98
PIPE SIZE		225mm	225mm	225mm		225mm		150mm		



COVER LEVEL	67.010	67.900	68.200			
INVERT LEVEL	66.997	11.001	66.532 67.900	11.000	66.850	68.200
DEPTH (m)	3.063		1.378		1.350	
DISTANCE (m)		36.76		12.80		
PIPE SLOPE		1:70		1:39		
PIPE SIZE		150mm		150mm		

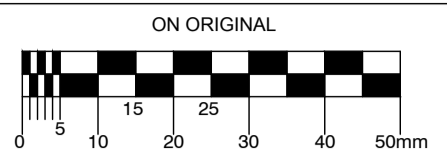


COVER LEVEL	66.190	67.200	68.400	69.000	69.190	69.300	69.450	69.600	69.920	70.132	69.920	69.920				
INVERT LEVEL	64.157	13.010	65.157 65.157	13.009	65.812 65.812	13.008	66.599 66.599	66.897 66.897	67.296 67.296	67.341 67.341	13.002	67.726 67.726	13.001	68.151 68.151	13.000	68.570 68.570
DEPTH (m)	3.792		2.043		2.398		2.411	2.454	2.413	2.484	2.522	2.484	2.769	1.789	1.350	
DISTANCE (m)		23.06		29.43		39.32		14.42	14.83	8.74	8.11	16.62	33.03	22.54	16.41	
PIPE SLOPE		1:23		1:45		1:51		1:98	1:98	1:88	1:88	1:88	1:85	1:53	1:39	
PIPE SIZE		225mm		225mm		225mm		225mm	225mm	225mm	225mm	225mm	150mm	150mm	150mm	



COVER LEVEL	66.409	66.100	66.090	66.600	66.400	66.200	66.390				
INVERT LEVEL	62.460	12.005	62.577 62.577	62.640 62.640	12.003	63.174 63.174	63.955				
DEPTH (m)	3.929		3.523	3.450		3.544	1.425				
DISTANCE (m)		11.29	7.92		46.00	19.07	51.17	20.90			
PIPE SLOPE		1:116	1:126		1:125	1:115	1:102	1:75			
PIPE SIZE		225mm	225mm		225mm	225mm	225mm	225mm			

© COPYRIGHT OF THIS DRAWING IS RESERVED BY DBFL CONSULTING ENGINEERS. NO PART SHALL BE REPRODUCED OR TRANSMITTED WITHOUT THEIR WRITTEN PERMISSION.



- NOTES:
- ALL DRAWINGS TO BE CHECKED BY CONTRACTOR ON SITE AND ENGINEER INFORMED OF DISCREPANCIES BEFORE WORK COMMENCES
 - ALL LEVELS ARE IN METRES AND ARE RELATED TO ORDNANCE DATUM
 - CONTRACTOR SHALL SATISFY HIMSELF AS TO THE ACCURACY OF PAVEMENT LEVELS ON SITE PRIOR TO COMMENCEMENT OF WORKS ON SITE
 - ALL WORKS TO BE CONSTRUCTED IN ACCORDANCE WITH THE NRA SPECIFICATION FOR ROAD WORKS UNLESS NOTED OTHERWISE
 - THIS DRAWING IS FOR PLANNING PURPOSES ONLY
 - MANHOLE COVER LEVELS ARE TO CONFORM WITH FINISHED ROAD AND PATH LEVELS
 - WHERE COVER TO PIPE IS LESS THAN 1200mm (ROAD/PATH/VERGE) OR 900mm (OPEN SPACE) SURROUND PIPE IN MINIMUM 150mm CONCRETE

KEY
 ----- EXISTING GROUND PROFILE
 _____ PROPOSED GROUND PROFILE

PT	17/12/19	PLANNING ISSUE	PJC	BCM
REV	DATE	DESCRIPTION	BY	CHKD

STAGE 2 - PLANNING

DESIGNED	BCM	PREPARED	PJC
DATE	OCT 2019	CHECKED	DJR

Dublin Office: Ormrod House,
 Upper Ormrod Quay, Dublin 7, Ireland.
 PHONE +353 1 400 4000
 FAX +353 1 400 4050

 Waterford Office: Unit 2, The Chandlery,
 1-2 O'Connell Street, Waterford, Ireland.
 PHONE +353 51 339 550
 FAX +353 51 844 913

DBFL Consulting Engineers email: info@dbfl.ie site: www.dbfl.ie

PROJECT
NEWTOWNMOYAGHY SHD

DRG. TITLE
**LONGITUDINAL SECTIONS
 THROUGH FOUL SEWER
 SHEET 3 OF 6**

CLIENT
MCGARRELL REILLY